

AE 1/2 C

ACUTE Tap Range Acute Basin Taps Chrome

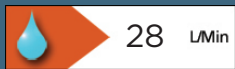


Specification	
Style:	Contemporary
Product Type:	Bathroom taps
Finish/Colour:	Chrome
Main Construction Material:	Brass
Mount Type:	Deck
Handle Type:	Paddle
Connection Inlet:	15mm Female Compression
Number of Tap Holes Required:	2
Valve/Cartridge Type:	1/2" Ceramic Disc Valve
Plumbing System Suitability	All
Working Pressure Range:	Min 0.2-8.0 BAR bar
Maximum Hot Water Temperature: °c	65
Maximum Dynamic Pressure: (bar)	5
Maximum Static Pressure: (bar)	10
Flow Type:	Single Flow
Flow Rate: (l/min @ 3 bar)	28
Connection Outlet:	M18 flow straightener
Isolation Included:	Yes

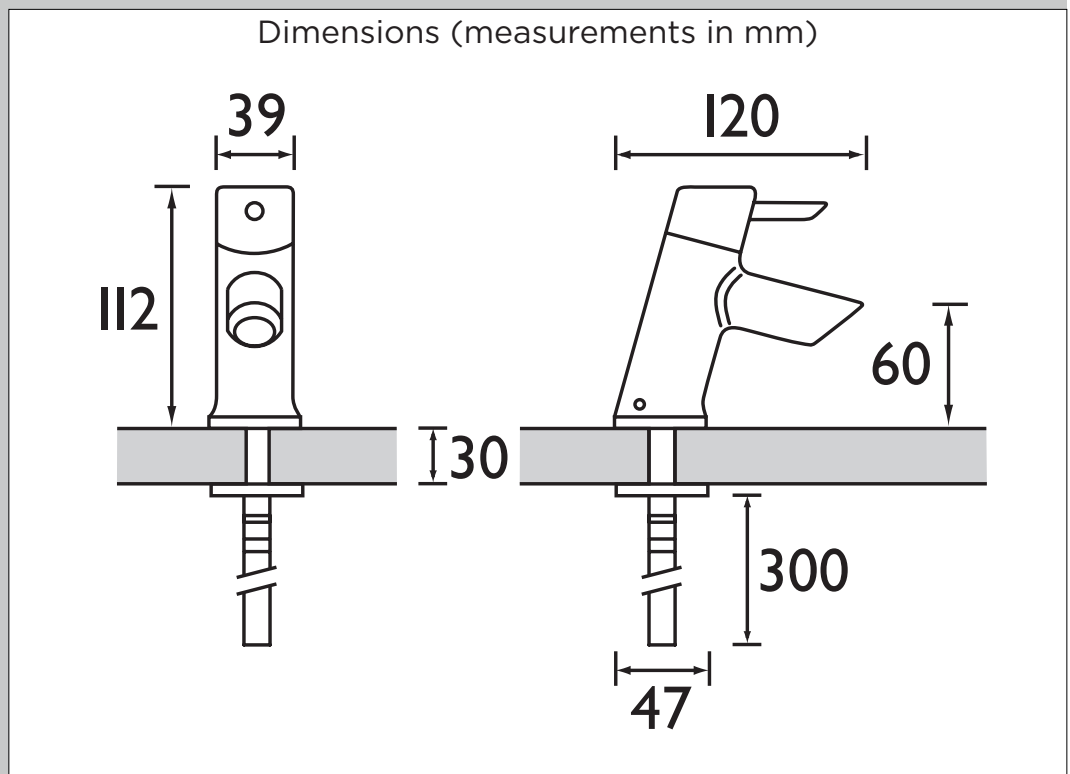
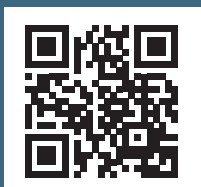
Features:

- Easyfit
- Metal Fixing Nut
- Supplied with flexi tails and integral isolators
- Ceramic Disc

Product Certifications:



For more products, visit our website:



Flow Rates (l/min)						
System Pressure (bar)	0.2	0.5	1	2	3	5
AE 1/2 C	7.1	11.2	16	22.7	28	36.1

TECHNICAL
DATA
SHEET



BRISTAN
TAPS & SHOWERS

D2