

CI/SFB
(74)

Overview:

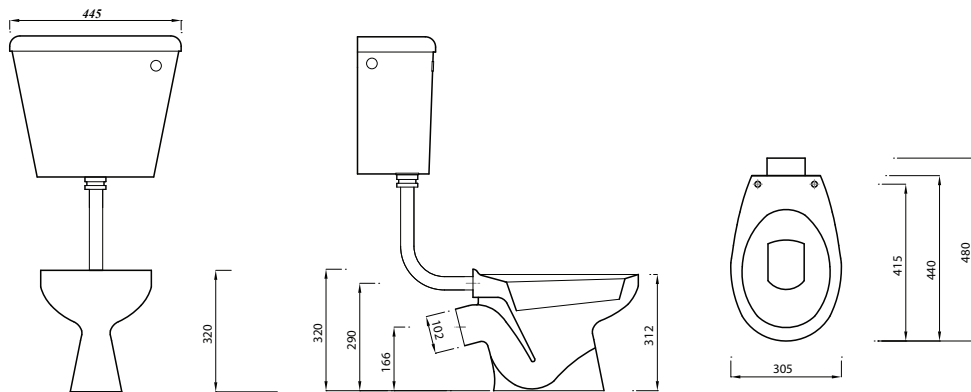
Designed for school and early years settings, this 300mm height toilet is designed for younger users. Pairs perfectly with the heavy duty ring seat, for high traffic environments.

Key product features:

- Classic design
- Dual flush lever
- CE Compliant

Product:	Pan	Cistern	Crescent seat
Code:	SCWH30PA	ASWHELLBCI	STWHSRING
Weight in kg:	8.3	14.7	1.9
Colour:	White		
Material:	Vitreous china		Plastic
Standard:	EN997-CL1-6A+CL2		n/a
DOP:	WCBTW1		n/a
BiM download:	✓	✓	n/a
CAD download:	✓	✓	n/a
Flushing volume	6/4ltr		
Flushing mechanism	Dual flush lever		
Inlet	Side inlet RH		
WRAS	All Lecico flushing mechanisms are WRAS approved		
White seat:	Crescent with no lid - STWHSRING		
Black seat:	Crescent with no lid - STBLSRING		

Shown: Low level WC with dual flush lever cistern and ring seat
SCWH30PA- ASWHELLBCI - STWHSRING



Special notes

Cistern contains flush-pipe.
Pan fixes directly to floor - Screws not included.
For alternative seats, please check specification to ensure fit

All dimensions are approximate and subject to normal ceramic variation.
Although every effort is made not to change the above product specification, Lecico reserve the right to do so without prior notification if necessary.