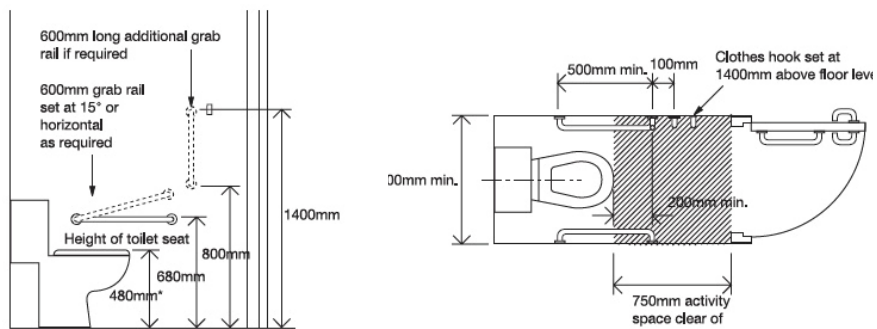


# Ambulant packs



Shown: Rimless 560mm back to wall WC which is included in the ambulant pack



\*Height subject to manufacturing tolerance of WC pan

CI/SFB
(74)



## Overview:

DocM ambulant WC's provide accessible convenience for the walking impaired. They bridge the gap between a full DocM and a standard WC. They feature a raised height WC with supporting grab rails. Ambulant cubicles provide sufficient space for those who are able to walk, but require additional assistance; these types of installation are not suitable for wheelchair users due to the restricted space.

## Key product features:

- CE and HBN 00-10 Part C Compliant
- Raised height
- Back to wall WC

Product:	White	Blue	Grey
Code:	DOCMAMBTWWH	DOCMAMBBTWBR	DOCAMBTWGR
Weight in kg:	26		
Ceramic colour:	White		
Rail colour:	White	Blue	Grey
Seat colour:	White	Blue	Grey
Material:	WC - Vitreous china / Grab rails - Steel / Seat - Plastic		
Standard:	EN997-CL1-4A+CL2		
DOP:	WCBTW2		
BiM download:	Available for BTW WC		
CAD download:	Available for BTW WC		
Flushing volume:	4/2.6ltr standard		
Flushing mechanism:	Lever action - Left or right hand dimple lever		
Inlet:	Bottom inlet		
WRAS:	All Lecico fittings are WRAS approved		
Pack includes:	BTW WC / Concealed cistern / Anti-lateral ring seat / 3 x 600mm grab rails / 1 x 450mm grab rail / 1 x Robe hook in matching colour		

## Colour samples

White	Blue	Grey
RAL9016	RAL5011	RAL7005
LRV - 87.67	RV - 5.52	RV - 18.52

## Special notes

Pan fixes to floor using side fixing bracket supplied with pan.  
Seat for the WC includes a top fix hinge to make installation and cleaning easy.

All dimensions are approximate and subject to normal ceramic variation. Although every effort is made not to change the above product specification, Lecico reserve the right to do so without prior notification if necessary.