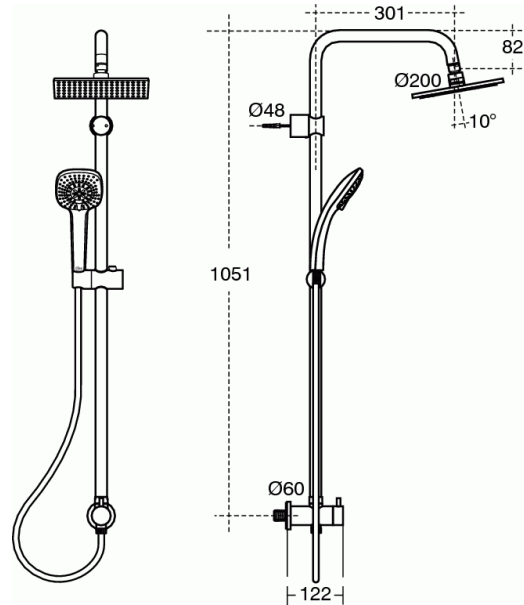


IDEALRAIN CUBE

Dual Rainshower M1



Dual Rainshower M1

For use with built-in shower mixers| Integral diverter| M1 200mm rainshower| M3 handspray| 1.75m Idealflex smooth hose| Limescale resistant, rub clean nozzles| Removable 12 litres per minute ECO flow regulator fitted in rainshower| Removable 8 litres per minute ECO flow regulator fitted in shower handspray

Idealrain Cube Dual rainshower M1, fixed riser, diverter and shower set for built-in shower valves

VARIANT PRODUCTS

Dual Rainshower M1

A5862

COLOURS*



* AA = Chrome

NORMS AND BENEFITS

