

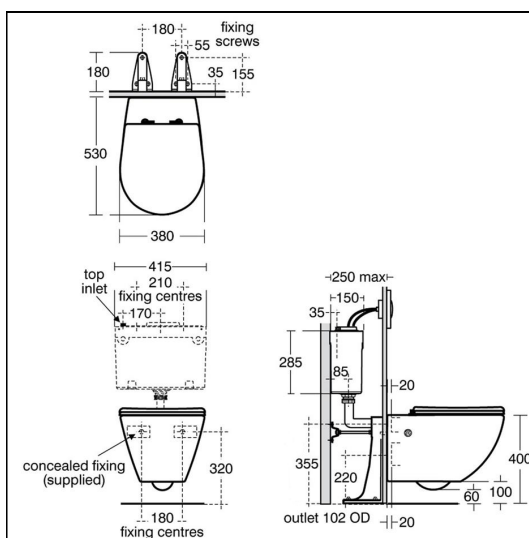
# White Wall Mounted WC Pan With Horizontal Outlet

## ILLUSTRATED

- E0005** White wall mounted WC pan with horizontal outlet
- S3624** Conceala 2 cistern 6/4 litre dual flush valve top inlet and internal overflow, alternative height plastic flushbends
- E0021** White, plastic seat and cover
- E4437** Contemporary flush plate dual flush, Ideal Standard logo for Conceala 2 cisterns
- E0060** Support frame with bolts for wall hung WC pans

## OPTIONS

- S3625** Conceala 2 cistern 4/6 litre dual flush valve bottom supply and internal overflow, alternative height plastic flushbends, no flushplate
- S4270** Conceala 2 cistern 4.5 litre single flush valve delay fill bottom supply and internal overflow, alternative height plastic flushbends
- E0022** White, plastic seat only
- S4399** Contemporary flush plate dual flush, unbranded for Conceala 2 cisterns
- E4434** Flush plate dual flush for 820/880mm high in-wall system, Ideal Standard
- E9325** In-wall system 6/3 or 4.5/3 litre flush for WC, 880mm high, mechanical top or front operation flushplate
- E9326** In-wall system 6/3 or 4.5/3 litre flush for WC, 820mm high, mechanical top or front operation flushplate
- E9324** In-wall system 6/3or 4.5/3 litre flush for WC, 1100mm high, mechanical front operation flushplate
- E3222** Panekta outlet Connector, finned pattern to convert horizontal outlet WCs to P trap
- S4300** Panekta outlet Connector, finned pattern to convert horizontal outlet WCs to S or turned P trap



## ILLUSTRATED PRODUCT DETAILS

### Weights

- E0005** 26.24 KG
- S3624** 3.00 KG
- E0021** 3.22 KG
- E4437** 0.46 KG
- E0060** 4.28 KG

### Materials

- E0005** Vitreous China
- S3624** Plastic
- E0021** Plastic
- E4437** Chrome Plated Plastic
- E0060** Metal

### Finishes

- E0005**  White (01)
- S3624**  Neutral / No Finish (67)
- E0021**  White (01)
- E4437**  Chrome (AA)
- E0060**  Neutral / No Finish (67)

### Capacity

- S3624** 6 litres

### Designer

David Chipperfield



## ACCREDITATIONS

### S3624(67)

**Unified Water Label** **4.5** Average Flushing Volume (Litres)

### S3625(67)

**Unified Water Label** **4.5** Average Flushing Volume (Litres)

### E9325(67)

**Unified Water Label** **3.8** Average Flushing Volume (Litres)

## FINISH OPTIONS

# White Wall Mounted WC Pan With Horizontal Outlet



(BX) Brushed Nickel

(AA) Chrome

### Standards

WC pan to BS EN 997 & BS EN 33

### Special Notes

Only suitable for using with 6/4 litre, 6/3 litre dual flush Conceala cisterns or in-wall frames and 6 litre or 4.5 litre single flush Conceala cisterns.

E0060 support brackets screwed to floor within the duct, WC pan fixed to support brackets with bolts supplied and bolts screwed to back wall with brackets. Joint sealed with waterproof sealant (not supplied).

**E9326(67)**



**E9324(67)**



**S4270(67)**

