

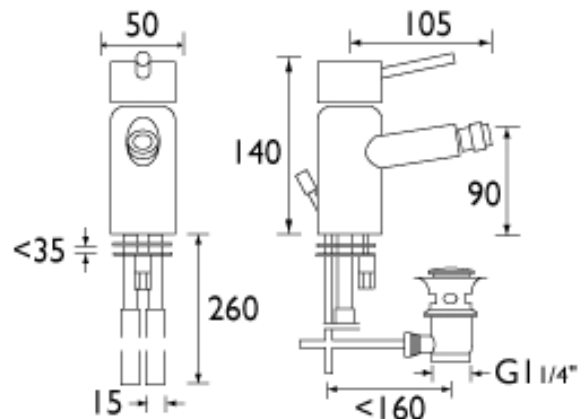
TECHNICAL DATA SHEET

PRISM

Bidet Mixer with Pop-Up Waste

Product Specification

Product Code:	PM BID C
Finish:	Chrome
Product Type:	Contemporary
Construction:	Body is of Brass Construction and is designed to conform to BS EN 817
Valve Type:	40mm Ceramic Disc Cartridge
Inlet Connections:	M10 x 15mm Screw-in Copper Tail Pipes
Supply:	Suitable for all plumbing systems
Working Pressures:	Min 0.2 Bar, Max 8.0 Bar



Additional Information

- Chrome plated to BS EN 248
- Supplied with metal handle
- Includes Pop-Up Waste

Flow Rates (litres per minute)

System Pressure	0.2bar	0.5 Bar	1.0 Bar	2.0 Bar	3.0 Bar	5.0 Bar
Bidet Mixer (Mixed)	5.5	9	13	18.7	22.9	29.6

Compliance/Approvals

WRAS Approval No: 1321049

Technical Advice: For further information please call 0844 7016273 or email customercare@bristan.com

Guarantee: 5 years covering manufacturing faults.

Bristan, Birch Coppice Business Park, Dordon, Tamworth, B78 1SG
Telephone: 0844 701 6274 Facsimile: 0844 701 6275
Web Site: www.bristan.com Email: enquire@bristan.com

