

Sandringham 21 Handrinse Washbasin, 35cm 2 Tapholes No Overflow No Ch

ILLUSTRATED

- S8150** Sandringham 21 handrinse washbasin 35cm, 2 taphole, no overflow no chainstay hole
- B9865** Sandringham 21 Washbasin Pillar Taps
- S8810** Waste 1¼" plastic strainer, dished pattern 80mm unslotted tail
- S8900** Trap 1¼" metal bottle, 75mm seal, outlet screwed 1¼" BSP male with compression nut and ring
- E5010** Pair Steel Wall Hangers

OPTIONS

- E0157** Wall fixing set
- B9875** Sandringham 21 washbasin pillar taps, crosshead handles
- B9881** Sandringham 21 washbasin pillar taps, lever handles
- S8715** Waste 1¼" waste with bead chain & plug 80mm unslotted tail, screw stay
- S8720** Waste 1¼" brass strainer waste, 80mm unslotted tail
- S8734** Waste 1¼" brass swivel plug waste, 80mm unslotted tail
- S8811** Waste 1¼" plastic strainer, 50mm unslotted tail
- S9005** Volume Control valve ½" with screwdriver control, inlet and outlet for 15mm copper
- S8920** Trap 1¼" plastic resealing bottle, 75mm seal, multi-purpose outlet
- S8910** Trap 1¼" plastic bottle, 75mm seal, multi-purpose outlet

ILLUSTRATED PRODUCT DETAILS

Sizes

S8150 w:350 x d:260






Weights

S8150 6.50 KG
B9865 1.05 KG
S8810 0.04 KG
S8900 0.54 KG
E5010 0.10 KG

Materials

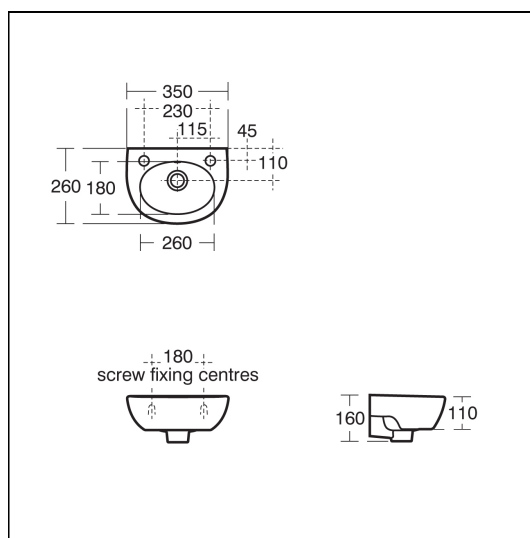
S8150 Vitreous China
B9865 Chrome Plated Brass
S8810 Plastic
S8900 Chrome Plated Metal
E5010 Metal

Finishes

- S8150**  White (01)
- B9865**  Chrome (AA)
- S8810**  White (01)
- S8900**  Chrome (AA)
- E5010**  Neutral / No Finish (67)

Flow rates

B9865 13 Litres per minute @ 3 bar pressure



Special Notes

Washbasin wall mounted using E5010 wall hangers and screwed to wall using 2 screws (not supplied) or E0157 wall fixing bolts and screwed to wall using 2 screws (not supplied).