

Sandringham 21 Bath Pillar Taps, Lever Handles

ILLUSTRATED

B9882 Sandringham 21 bath pillar taps, lever handles

ILLUSTRATED PRODUCT DETAILS

Weights

B9882 1.18 KG

Finishes

B9882  Chrome (AA)

Materials

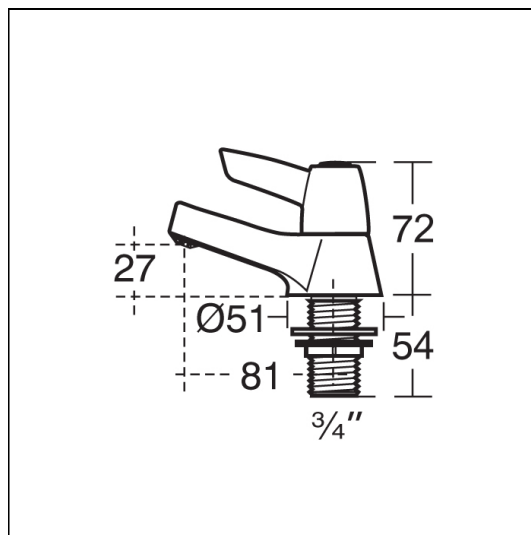
B9882 Chrome Plated Brass

Flow rates

B9882 9 Litres per minute @ 3 bar pressure

Special Notes

Suitable for balanced/unbalanced supplies high or low pressure. Inlets 3/4in BSP male coned for copper. Pillar taps come supplied with brass back nuts. Consideration should be given to safe hot water delivery and the use of an appropriate temperature reduction device see S7436AA. Unregulated flow rate 8.2 litres per minute at 0.1 bar.



ACCREDITATIONS



1209113