

# Sandringham 21 Bath Pillar Taps, Crosshead Handles

## ILLUSTRATED

**B9876** Sandringham 21 bath pillar taps, crosshead handles

### ILLUSTRATED PRODUCT DETAILS

**Weights**

**B9876** 1.15 KG

**Finishes**

**B9876**  Chrome (AA)

**Materials**

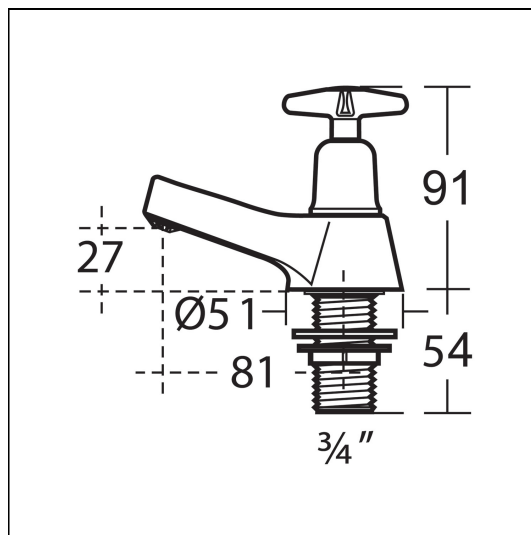
**B9876** Chrome Plated Brass

**Flow rates**

**B9876** 14.5 Litres per minute @ 3 bar pressure

**Special Notes**

Suitable for balanced/unbalanced supplies high or low pressure. Inlets 3/4in BSP male coned for copper. Pillar taps come supplied with brass back nuts. Consideration should be given to safe hot water delivery and the use of an appropriate temperature reduction device see S7436AA. Unregulated flow rate 15 litres per minute at 0.1 bar.



### ACCREDITATIONS

