

Sandringham 21 Washbasin Pillar Taps Crosshead Handles

ILLUSTRATED

B9875 Sandringham 21 washbasin pillar taps, crosshead handles

ILLUSTRATED PRODUCT DETAILS

Weights

B9875 1.07 KG

Finishes

B9875  Chrome (AA)

Materials

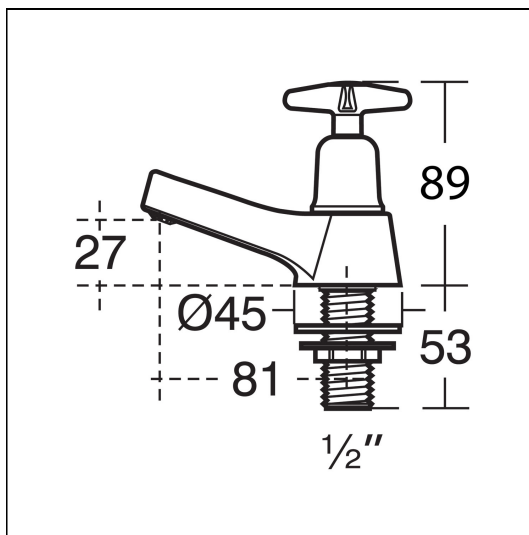
B9875 Chrome Plated Brass

Flow rates

B9875 13 Litres per minute @ 3 bar pressure

Special Notes

Suitable for balanced/unbalanced supplies high or low pressure. Inlets screwed 1/2in BSP male, coned for copper. Consideration should be given to safe hot water delivery and the use of an appropriate temperature reduction device see S7435AA. Water saving can be achieved by use of a flow regulators such as L6935NU to deliver maximum of 4 Litres per minute. Unregulated flow rate 15 litres per minute at 0.1 bar.



ACCREDITATIONS

