

Portman 21 Washbasin 50cm 2 Taphole, No Overflow or Chainstay Hole



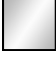
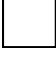
ILLUSTRATED

- S2253** (LB G M) Portman 21 washbasin 50cm, 2 tapholes, no overflow or chainstay hole
- B8262** (TP5) Piccolo 21 inclined ½" washbasin pillar taps, lever operated, dual hot and cold indices, anti-vandal water saving nozzle
- S8715** (WT3) Waste 1¼" waste with bead chain & plug 80mm unslotted tail, screw stay
- S8920** (TRR1/P) Trap 1¼" plastic resealing bottle, 75mm seal, multi-purpose outlet

OPTIONS

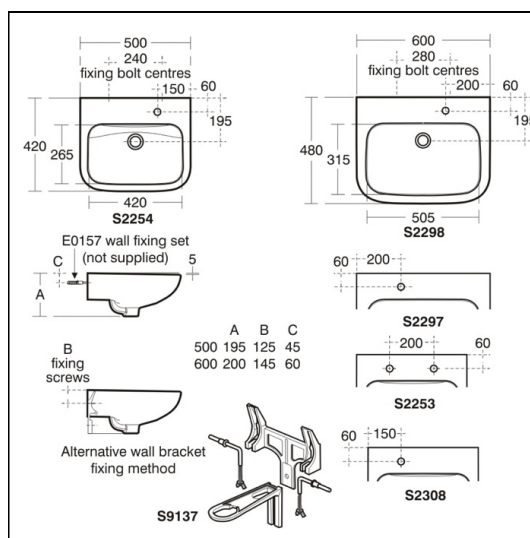
- E0157** Wall fixing set
- B8267** Avon 21 washbasin inclined pillar taps (pair) with dual Hot and Cold indices per tap, self closing push button non concussive, water saving anti-vandal nozzle regulated to 3.7 litres per minute maximum. Alternative low pressure outlet option supplied.
- B9881** Sandringham 21 washbasin pillar taps, lever handles
- S8720** (WT1) Waste 1¼" brass strainer waste, 80mm unslotted tail
- A5900** TMV Thermostatic mixing valve 15mm

ILLUSTRATED PRODUCT DETAILS

Sizes	Finishes
S2253 w:50 x d:42	S2253  White (01)
Weights	B8262  Chrome (AA)
S2253 12.73 KG	S8715  Chrome (AA)
B8262 1.60 KG	S8920  Neutral / No Finish (67)
S8715 0.28 KG	
S8920 2.00 KG	
Materials	Flow rates
S2253 Vitreous China	B8262 5 Litres per minute @ 3 bar pressure
B8262 Chrome Plated Brass	
S8715 Chrome Plated Metal	
S8920 Plastic	

Special Notes

S9137 Bracket for 60cm & 50cm basins S9138 Bracket for 40cm basins
 Recommended fixing heights (floor to front rim); Nursery use 600mm
 Infant use 700mm Junior use 750mm Senior/adult use 780-800mm.
 Washbasin wall mounted using E015767 wall fixing set o



FEATURES

