

Contour 21 Close Coupled/BTW WC Pan 355mm High

ILLUSTRATED

- S3047** Contour 21 schools, back to wall and close coupled WC pan with horizontal outlet, 355mm high
- S3064** Contour 21 schools close coupled cistern 6 litre push button valve bottom supply and internal overflow, secure cover fastener
- S4059** Contour 21 toilet seat no cover for 355mm high pan, bottom fixing hinges
- S9101** Domex screws (pair)

OPTIONS

- S3643** Conceala 2 cistern 4.5/3 or 4/2.6 litre dual flush valve side supply and internal overflow, alternative height plastic flushbends, no flushplate
- S3696** Contour 21 schools close coupled delay fill, syphon cistern 4.5 litre single flush spatula lever, bottom supply and internal overflow with secure cover fastener
- S4058** Contour 21 toilet seat and cover for 355mm high pan, bottom fixing hinges
- S4305** Panekta outlet Connector, finned pattern to convert horizontal outlet WCs to P trap
- S4300** Panekta outlet Connector, finned pattern to convert horizontal outlet WCs to S or turned P trap

ILLUSTRATED PRODUCT DETAILS

Weights

- S3047** 16.40 KG
- S3064** 11.00 KG
- S4059** 1.60 KG
- S9101** 0.22 KG

Materials

- S3047** Vitreous China
- S3064** Vitreous China
- S4059** Plastic
- S9101** Metal

Finishes

- S3047** White (01)
- S3064** White (01)
- S4059** White (01)
- S9101** White (01)

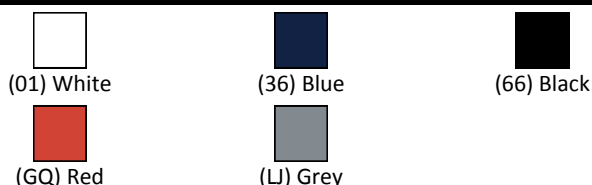
Capacity

- S3064** 6 litres

Designer

Robin Levien, RDI

FINISH OPTIONS



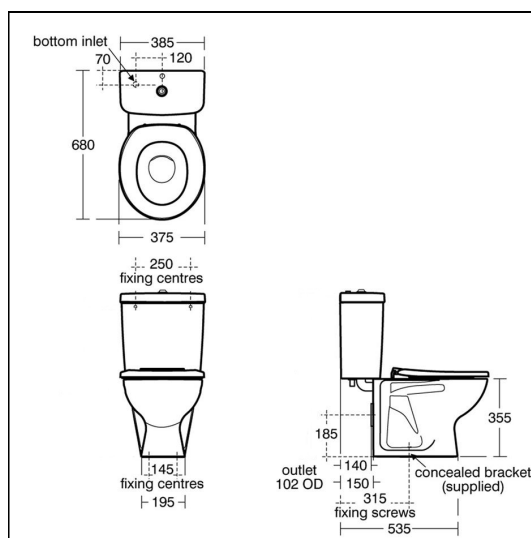
Standards

Vitreous china to BS EN 997 & BS EN 33

Special Notes

E: info@idealspec.co.uk | T: 0870 122 8822 | F: 0870 122 8282 | www.idealspec.co.uk

Ideal Standard (UK) Ltd. makes every effort to ensure that the information provided on its website is accurate. However, we cannot guarantee this, and accept no liability for any information or advice given via its website.



ACCREDITATIONS



FEATURES



Contour 21 Close Coupled/BTW WC Pan 355mm High

WC screwed to floor and cistern screwed to wall